



ID 0000024610  
ID 0000024271  
ID 0000022524



• Salt corrosion  
resistance tested  
• Periodic Inspection



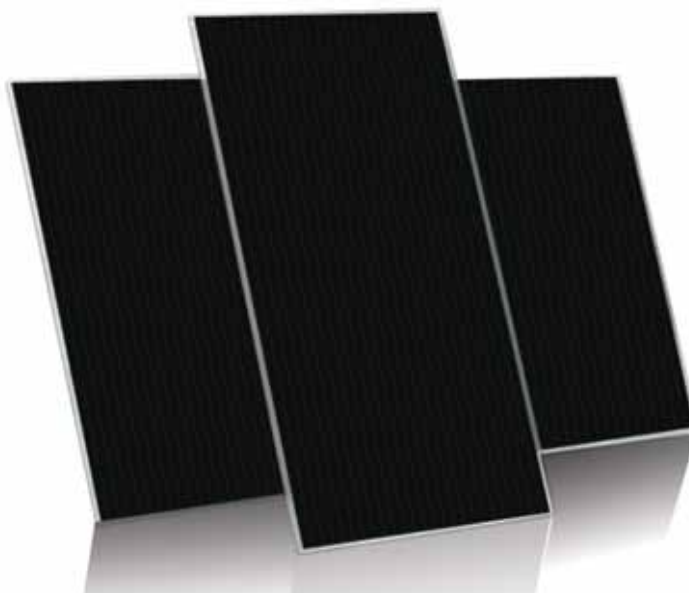
(Model : BS-42)



**BSC**  
BANGKOK SOLAR CO., LTD.

# α-Si Thin Film Photovoltaic Module

BSC α-Si Thin Film PV modules are designed to meet international standards, customer specifications, and environment-friendly. Concerning with project IRR (Interest Rate of Return), investing in BSC solar module is a smart choice due to the fact that BSC solar module starts generating power from Sun Rise until Sun Set. BSC modules are relatively easy to install and cost-saving. BSC products have been awarded numerous certifications for quality, safety, and reliability according to its advanced production technology aligned with very strict monitor from the quality assurance system.



## SPECIFICATIONS

Model	Dimensions (mm x mm)	Nominal power (W)	Open circuit voltage (V)	Short circuit current (A)	Operating voltage (V)	Current at rated operating voltage (A)	Maximum system voltage (V)	Maximum series fuse (A)	Certifications
BS-55	635x1245	55.0	93.9	0.91	71.7	0.77	1000/600	1	R&D Process
BS-52	635x1245	52.0	93.6	0.88	71.2	0.74	1000/600	1	TÜV , UL JET *
BS-50	635x1245	50.0	93.4	0.86	70.9	0.71	1000/600	1	TÜV , UL *
BS-46	635x1245	46.0	93.0	0.82	70.3	0.66	1000/600	1	TÜV , UL *
BS-44 B	635x1245	44.0	62.6	1.17	46.9	0.99	1000	2	TÜV
BS-44 B	652x1262	44.0	62.6	1.17	46.9	0.99	1000	2	TÜV **
BS-44	635x1245	44.0	62.6	1.17	46.9	0.99	1000	2	TISI
BS 42 A	635x1245	42.0	62.4	1.16	45.8	0.96	600	2	TÜV
BS-42	635x1245	42.5	62.2	1.16	44.8	0.95	600	2	UL
BS 40	635x1245	40.0	62.2	1.14	44.8	0.93	600	2	TÜV

Temperature Coefficients : Maximum power (W) - 0.19 % / °C  
 : Open circuit voltage (V) - 0.32 % / °C  
 : Short circuit current (A) + 0.06 % / °C

\* BS-46 to BS-52 is under testing at UL

\*\* BS-44 B size 652x1262 with Al frame



## a-Si Thin Film Photovoltaic Module

**B**est Return On Investment

**S**mart Investment

**C**hoice of Smart Investors

### BSC Know - how

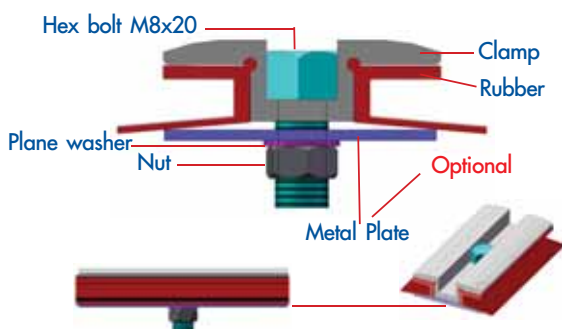
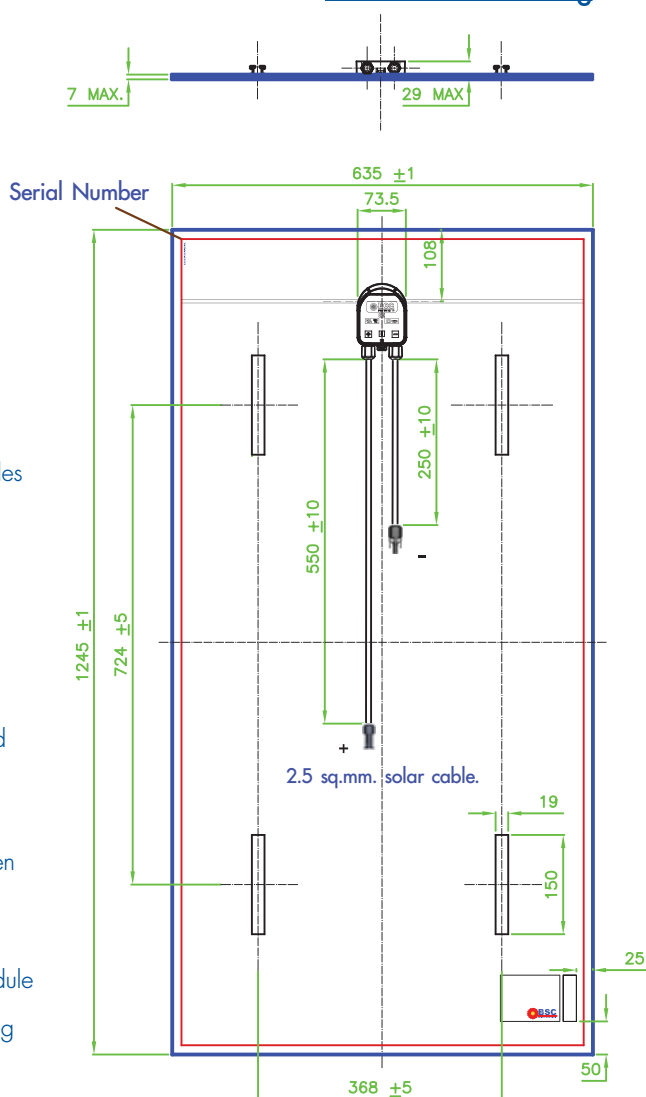
Using advanced Amorphous Silicon Thin Film technology, BSC developed state-of-the-art a-Si Thin Film PV modules that generate more electricity than Crystalline Silicon modules with equivalent capacity. Moreover, BSC is the most first a-Si Thin Film Photovoltaic Module which certified by TÜV Rheinland on salt mist corrosion test.

BSC products do not just generate more electricity at high ambient temperatures, but also produce higher energy yield under diffused and low-light conditions.

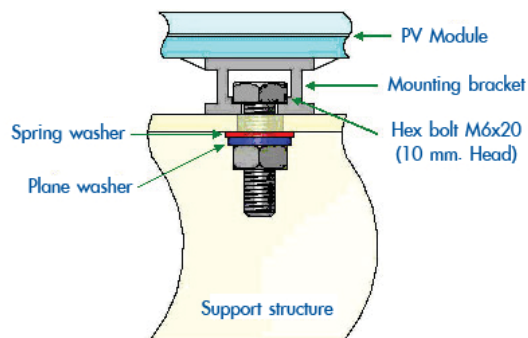
So, BSC products shorten Energy Pay-Back Time (EPT) when compared with other Technologies.

For all these reasons, BSC a-Si Thin Film Photovoltaic Module is the first choice among many leading companies installing solar module energy generating systems.

Construction Drawing



Optional for module with tempered glass



For : BS 40, BS-42, BS 42 A, BS-44 B, BS-46, BS-50, BS-52, BS-55